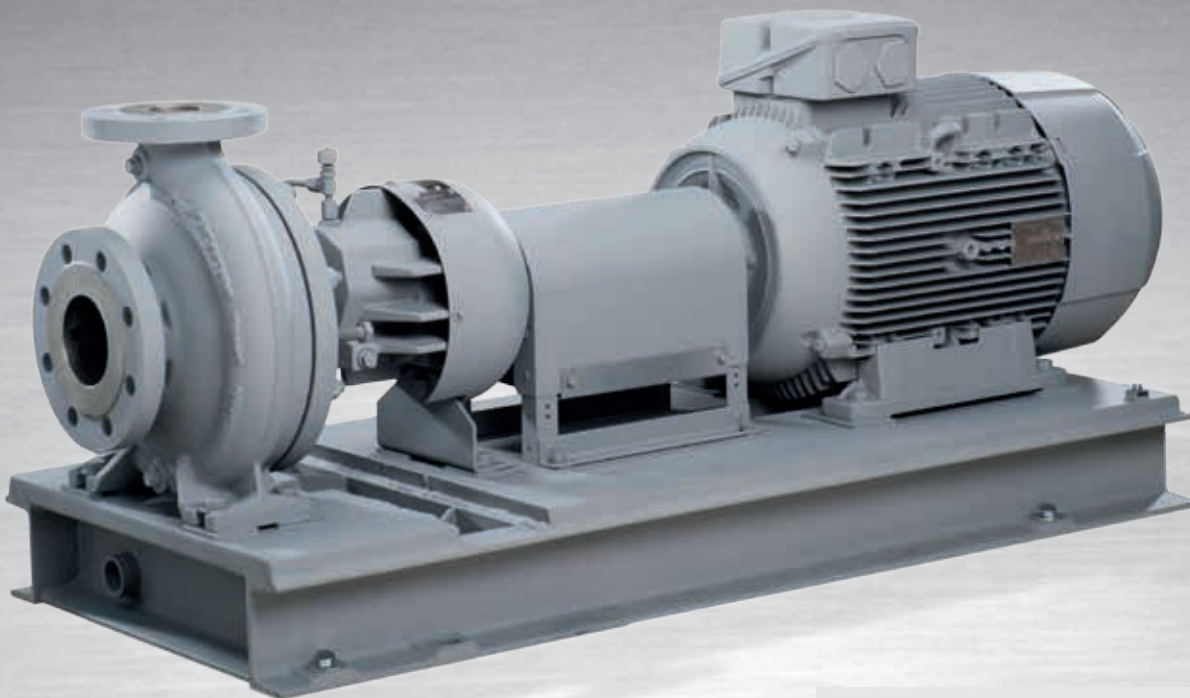


HPK/HPK-L – Heat Transfer Fluid/Hot Water Pump in Back Pull-out Design



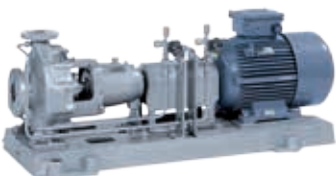
Applications:

- General industry
- Process engineering
- Heat transfer fluids and hot water systems
- Energy and heat supply

More information: www.ksb.com/products

HPK-L

Your contact:



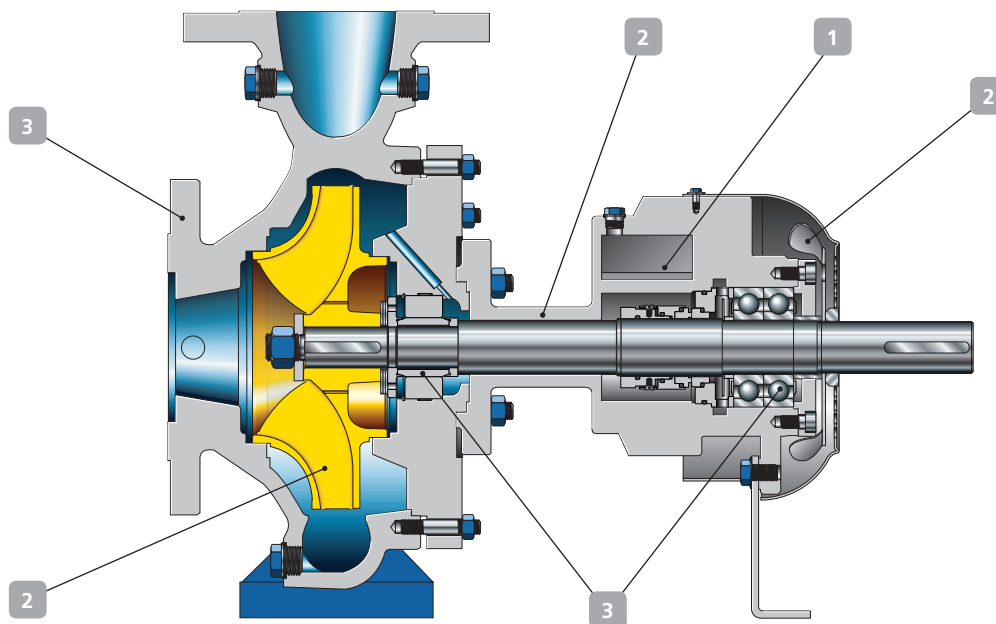
HPK



HPK-L with KSB SuPremE® motor and wall-mounted PumpDrive



HPK/HPK-L – Heat Transfer Fluid/Hot Water Pump in Back Pull-out Design



1 Reliable

Thanks to the patented VenJet® venting chamber. VenJet ensures that gas is kept away from rotating parts during operation, and thus protects the mechanical seal against dry running.

2 Energy-efficient

- Improved flow passage in the hydraulic section to provide for high efficiencies.
- As standard, the pump characteristic is adjusted to the required duty point.
- Additional sizes within the ISO selection chart allow for selection close to the best efficiency point.
- Air-cooled bearing bracket with heat barrier and fan impeller; no external cooling required.

3 Safe

- Two grease-lubricated angular contact ball bearings in back-to-back arrangement (designed for at least 25000 h) and a product-lubricated SiC/SiC plain bearing make for a long operating life.
- Dimensions and ratings to ISO 2858 as well as fulfilling the technical requirements as per ISO 5199 ensure interchangeability and reliability.

Universal use

Selected depending on the requirements imposed by fluids and pressure, KSB offers material combinations for casings, impellers, casing wear rings and mechanical seals (single and double), which cover the full range of applications involving all types of organic and synthetic heat transfer fluids as well as hot water.

Material

HPK-L	S	E	Z	Y
Volute casing	GP240GH+N		1.7706	
Casing cover	JS1025	P250GH 1.7335 P355NL ¹⁾	JS1025	P250GH 1.7335 P355NL ¹⁾
Impeller	JL1040/1.4408			
Shaft	1.4021+QT800			
Bearing bracket	JS1025			

Technical data

	HPK	HPK-L	
Pump size	150 to 400	25 to 250	DN
Flow rate up to*	4150/5050	1160/1400	m ³ /h
Head up to*	185/270	162/233	m
Fluid temperature	-40 to +400	-40 to +400	°C
Operating pressure	up to 40	up to 40	p ₂ bar

* Values for 50 Hz/60 Hz

¹⁾ Depending on pump size



KSB Aktiengesellschaft
Johann-Klein-Straße 9
67227 Frankenthal (Germany)
www.ksb.com